

## ASSESSMENT TOOL

### SHEEP YARD DESIGN

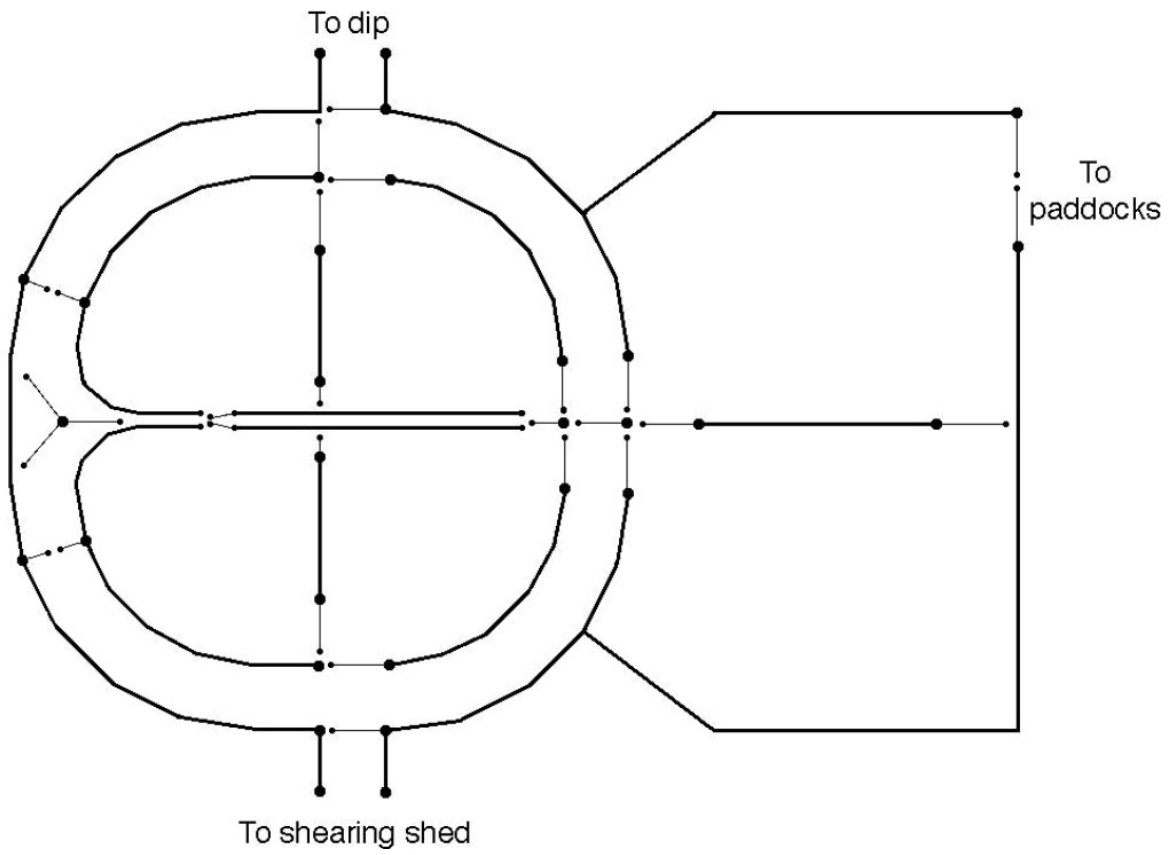
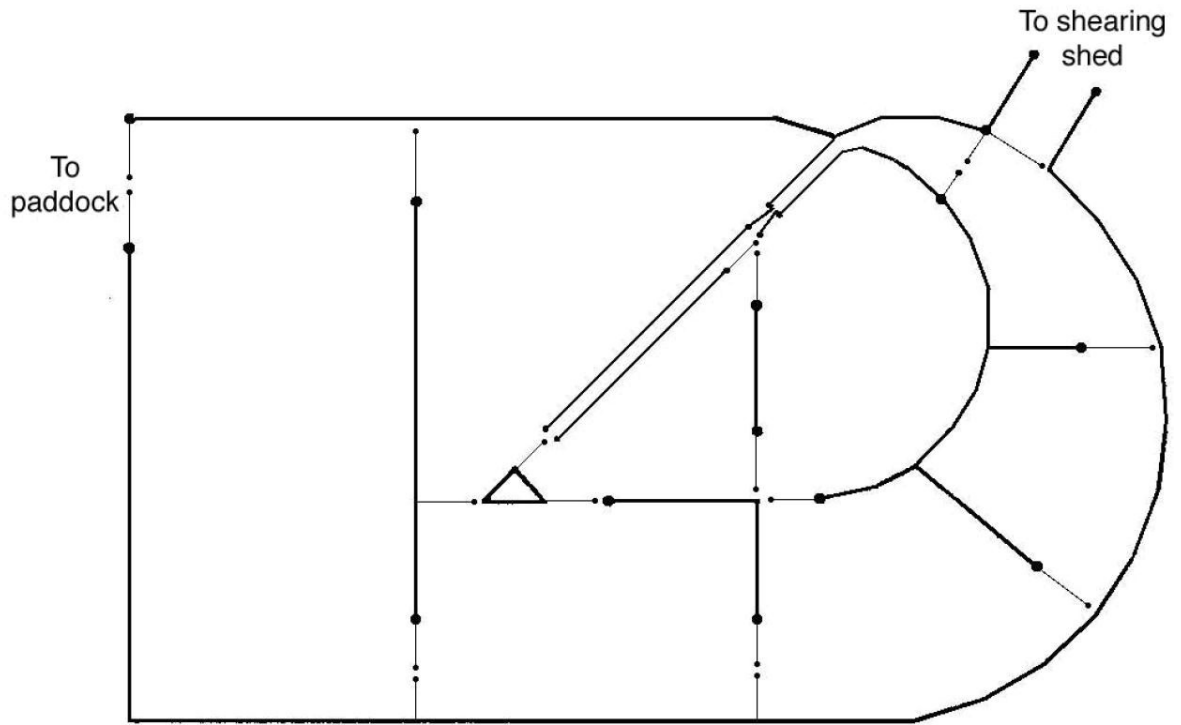
<b>Competency</b>	AHCWOL201A	Pen Sheep
-------------------	------------	-----------

<b>Trainee Name</b>		<b>Date:</b>	
---------------------	--	--------------	--

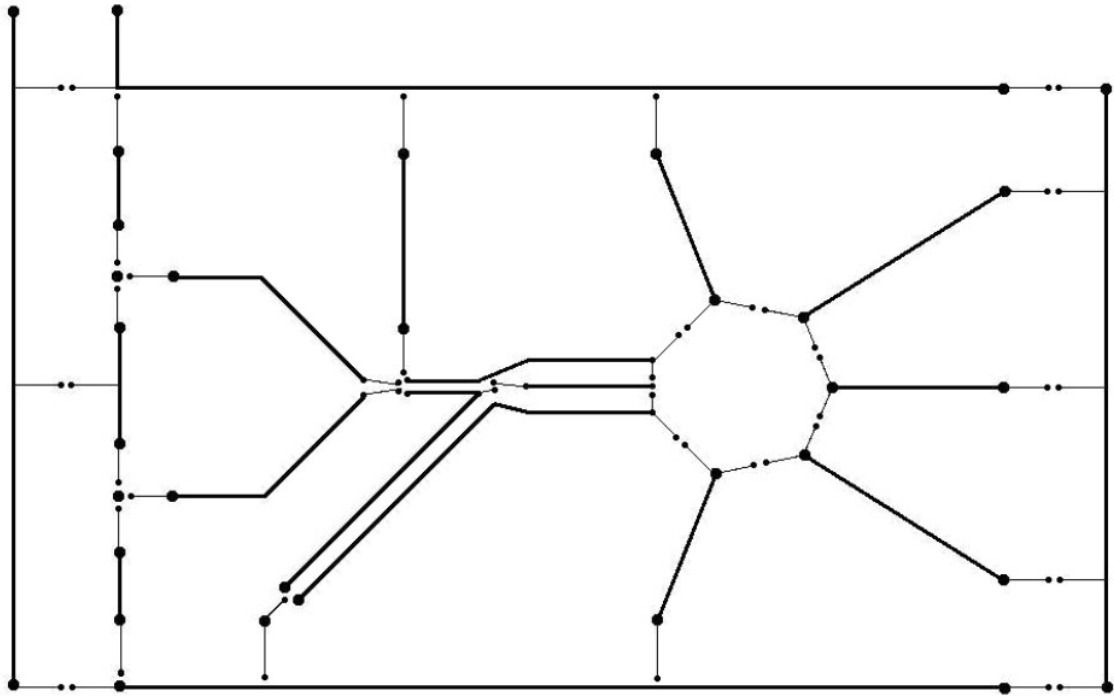
The diagram below show different types of sheep yards. For each diagram:

1. Name the type of sheep yard design
2. Using arrows mark in the direction of sheep flow from the paddock to the shearing shed
3. Mark in any baulk points
4. In the table below list the advantages and disadvantages of each type of sheep yard design

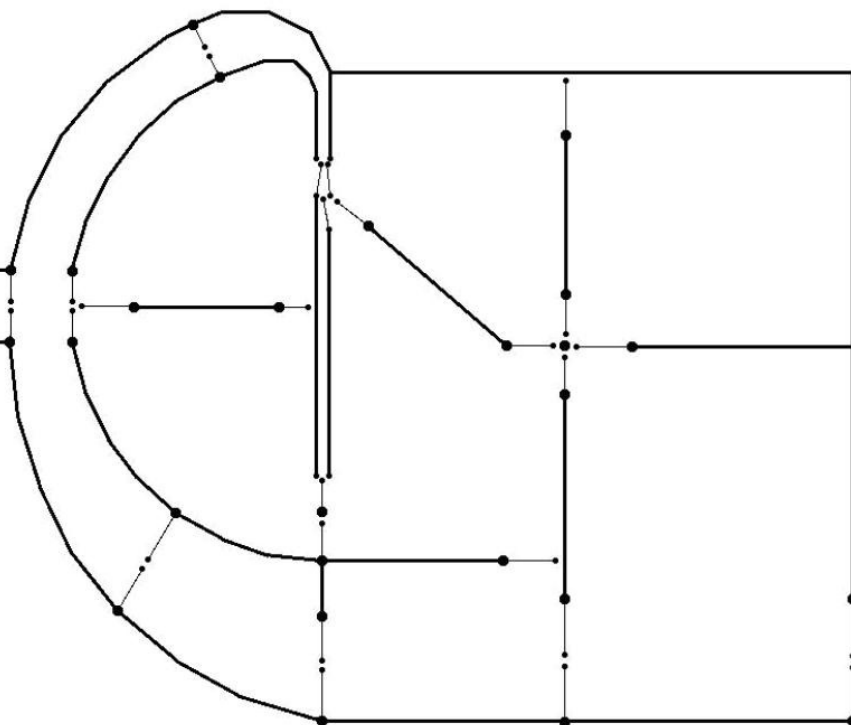
SHEEP YARD DESIGN	ADVANTAGES	DISADVANTAGES
Rectangular yards		
Diamond yards		
Bugle yards		
Dee yards		
Circular yards		



To shearing shed



To shearing shed



To paddocks

